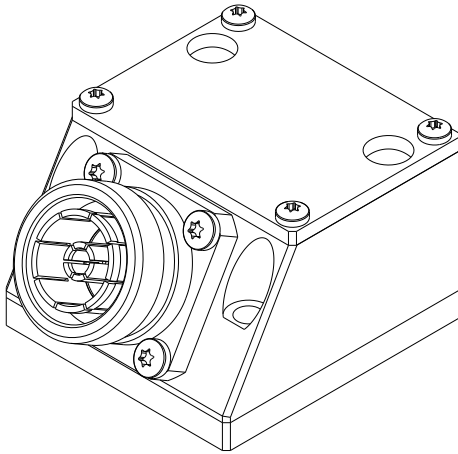


400 W Dry Load (For Integration)

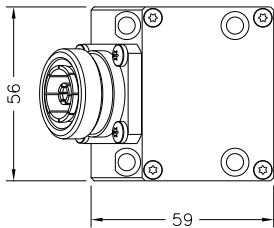
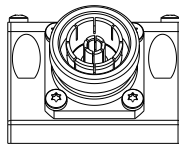
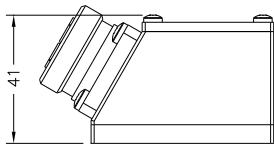


FEATURES

- For Integration
- BeO Free

OPTIONS

- Monitor Probe



SPECIFICATIONS

Code / Revision	C-DL40C / A
Max RMS Input Power ⁽¹⁾	400 W
Frequency Range	DC-862 MHz
Return Loss / VSWR	> 28 dB / < 1.08
Max Operating Temperature (Body)	100°C (212°F)
Environmental Conditions	-5 to +55°C (+23 to +131°F), IP60
Dimensions / Weight ⁽³⁾	59x56x41 mm / 0.5 kg (1.1 lb.)
Connectors ⁽³⁾	1x 32 mm Input D-PC32E 7-16 Female (Default) D-PC32F 7-16 Male D-PC32H 7/8" EIA Flange
Options	O-XMP.01 SMA Monitor Probe O-XMP.02 SMB Monitor Probe

⁽¹⁾ @100°C (212°F) Body Temperature / with External Cooling ⁽²⁾ Default configuration

⁽³⁾ Other Connectors/Options available

